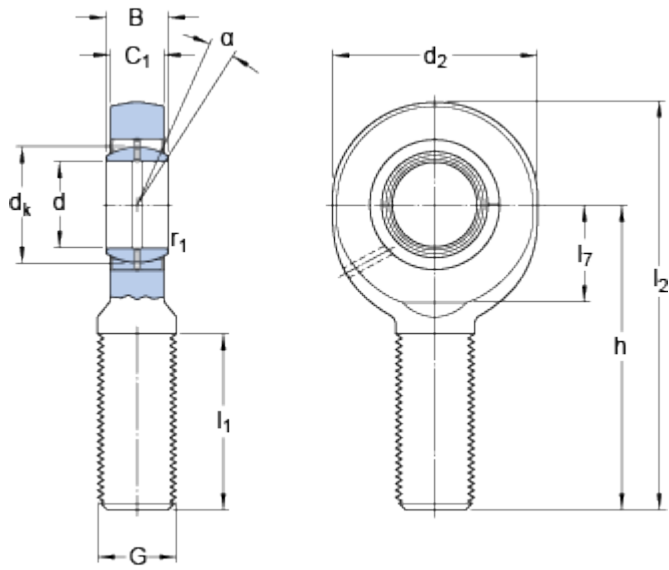


SA 17 ES

Dimensions



d		17	mm
d ₂	max.	47	mm
B		14	mm
G		M 16	
C ₁	max.	11.5	mm
h		69	mm
α		10	°
d _k		25	mm
l ₁	min.	36	mm
l ₂	max.	94	mm
l ₇	min.	22	mm
r ₁	min.	0.3	mm

Calculation data

Basic dynamic load rating	C	21.2	kN
Basic static load rating	C ₀	31	kN
Specific dynamic load factor	K	100	N/mm ²
Material constant	K _M	330	

Mass

Mass rod end	0.19	kg
--------------	------	----